

QUIET COMPACT SPA BLOWER

The Compact Spa Blower, powered by a 1200 watt 240volt Electric Motor is designed to be quiet and is made of quality material. It is easily installed due to its compact size.

It can be installed either in-ground or portable spa pools and in the vertical or horizontal position.

There is a Manufacturer's Warranty against faulty parts or incorrect assembly. Incorrect installation however can result in water damage which, apart from there being a risk of electrical shock to users, will result in all warranties being void.

The Compact Spa Blower is designed for connection to spa pools with a 40mm PVC pressure pipe. When mounting the Spa Blower below the water line with a double goose neck safety loop that is less than 700mm above the top edge of the Spa Pool, a non-return valve must be fitted to prevent water damage to the unit. (See figure 2 overleaf).

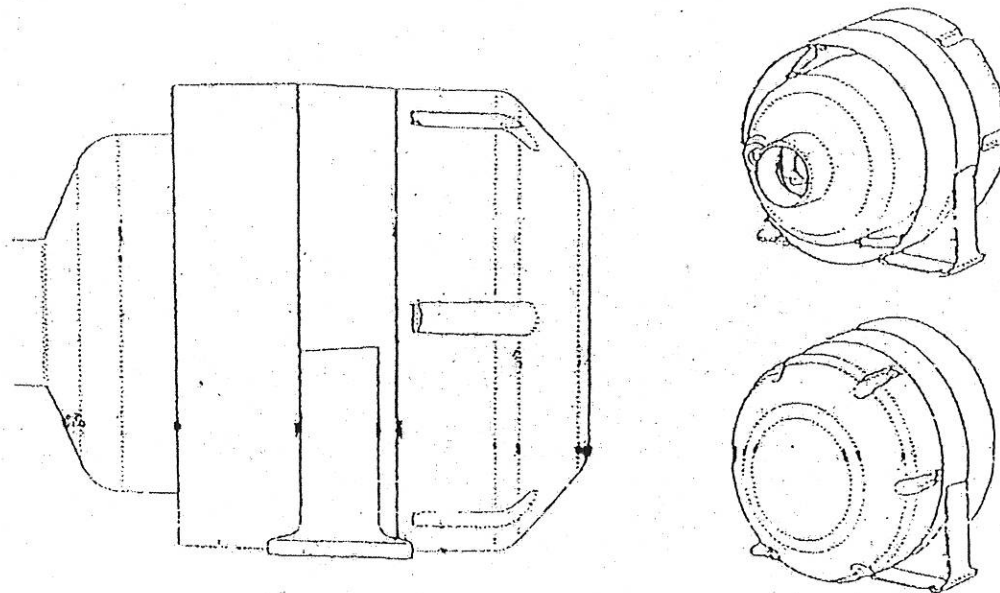
Spa Manifold rings should have sufficient holes to give a total outlet area of at least 800mm².

- ie. 65 x 4mm diameter holes
- 45 x 5mm diameter holes
- 30 x 6mm diameter holes

The Compact Spa Blower unit is factory serviceable only. Return it to you pool professional or retail outlet for all services.

The supply cord must only be replaced by the Manufacturer or Qualified Serviceman. When installing the unit it must be fully secured to a solid support.

Where required, protection against ingress of moisture due to weather or splashing must be provided. Check with your local authority for regulations.



CODE	Cord set	Size
BLOW2230	JJ	1200W / 1.5HP
BLOW2231	JP24 (NZ Standard 3-Pin)	1200W / 1.5HP
BLOW2232	AMP	1200W / 1.5HP

Single Stage, Airflow = 3000 litres per minute

PoolQuip Limited
 PO Box 12840, Penrose, Auckland 1642
 282 Neilson Street, Onehunga, Auckland 1061
www.poolquip.co.nz
 Phone: +64 9 634-9097

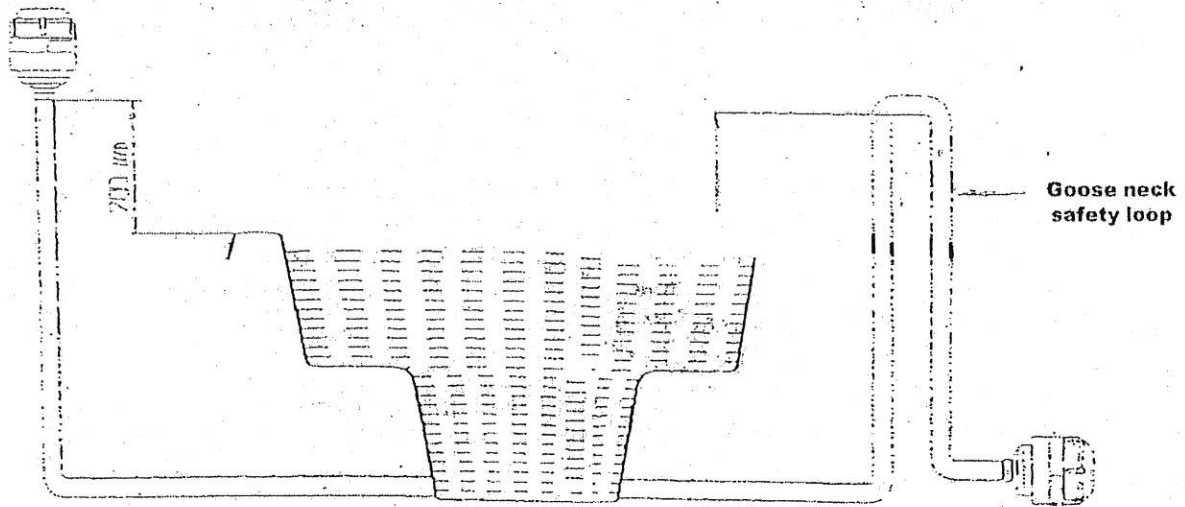


Figure 1.

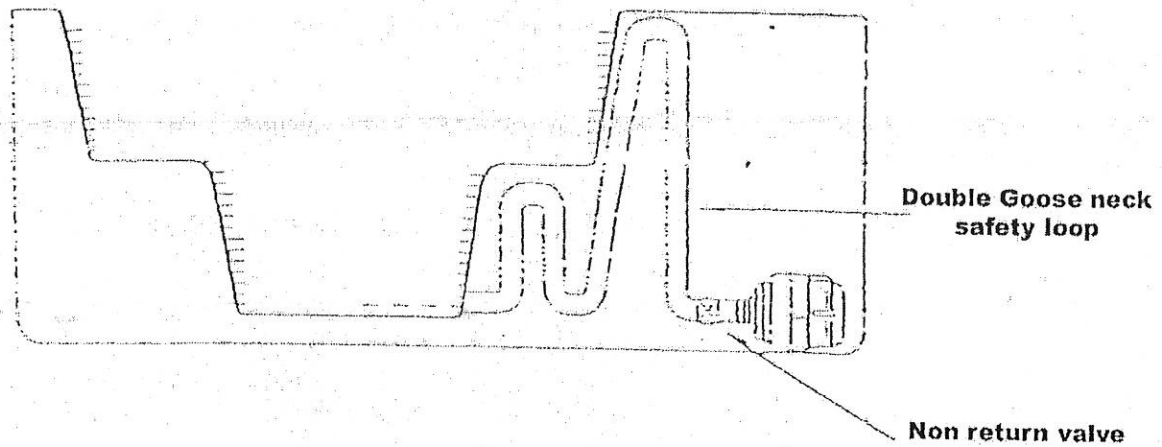


Figure 2.

1. The Compact Spa Blower must be installed in a dry area as close to the spa as possible using the goose neck safety loop must be next to the spa pool.
2. 40mm PVC pressure pipe should be used for all connecting lines. When mounting the Spa Blower below the waterline with a double goose neck safety loop that is less than 700mm above the top edge of the spa pool, a non return valve must be fitted to prevent water damage to the unit.
3. Spa Manifold rings should have sufficient holes to give a total outlet area of at least 800mm².
 - ie. 65 x 4mm diameter holes
 - 45 x 5mm diameter holes
 - 30 x 6mm diameter holes
4. When installing the unit it must be fully secured to a solid support and the clamp holding the outlet pipe must be tight.
5. All wiring to this spa blower must be in accordance with local electrical bylaws. In addition it is recommended that a RCD or Isolating Transformer be used.

PoolQuip Limited

PO Box 12840, Penrose, Auckland 1642
 282 Neilson Street, Onehunga, Auckland 1061
www.poolquip.co.nz
 Phone: +64 9 634-9097